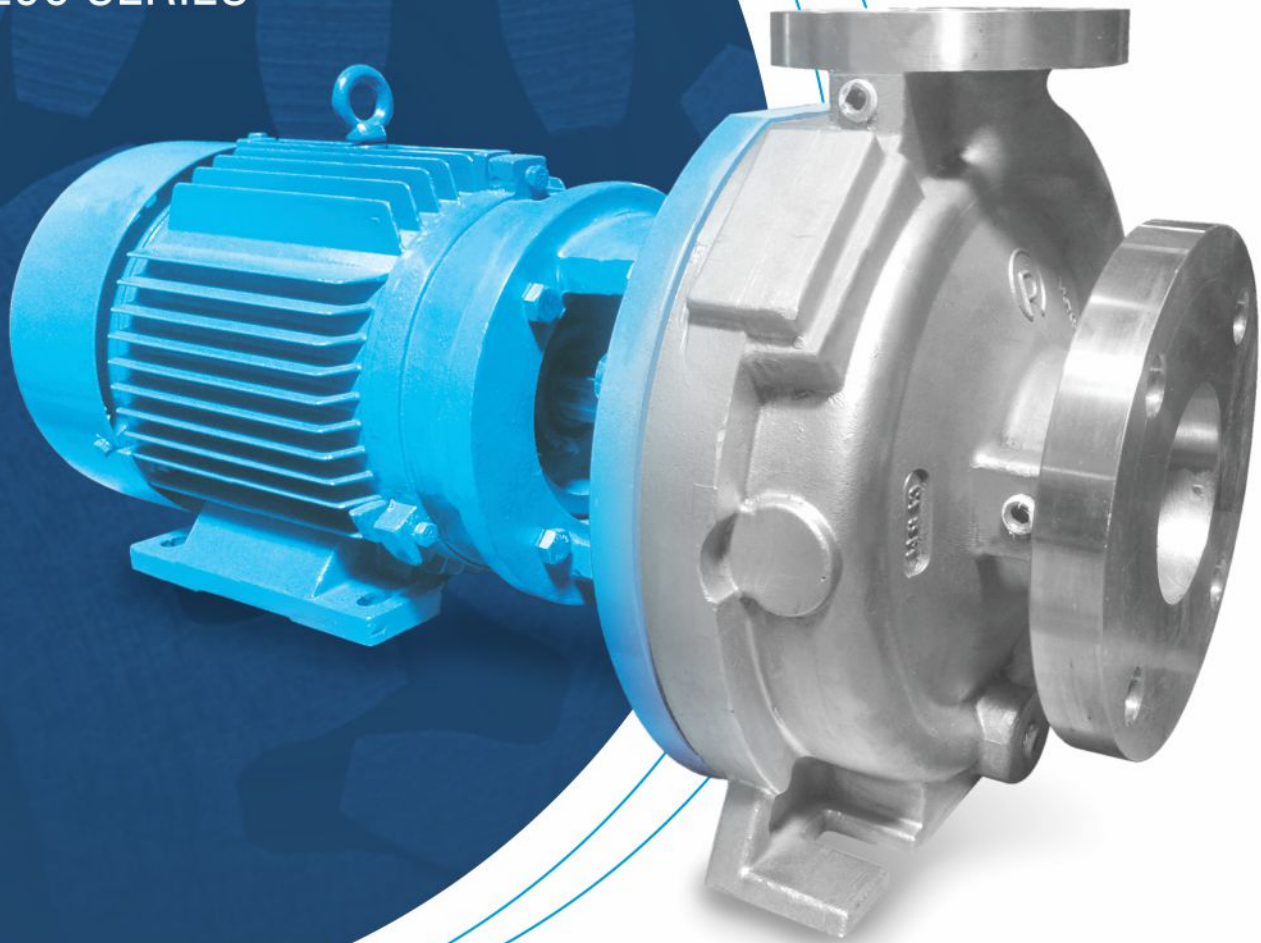


# ANSI CLOSE COUPLED PUMPS

1296 SERIES

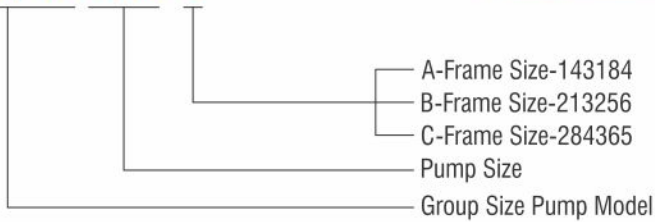


## FEATURES

- Close Coupled with Standard NEMA/IEC Electric Motors
- Economical Design, avoids usage of Base Frame, Coupling & Coupling Guard
- Occupies less space as compared to Frame mounted
- Can be installed with various mechanical seal options
- Interchangeability of Parts with other series of pumps

# NOMENCLATURE

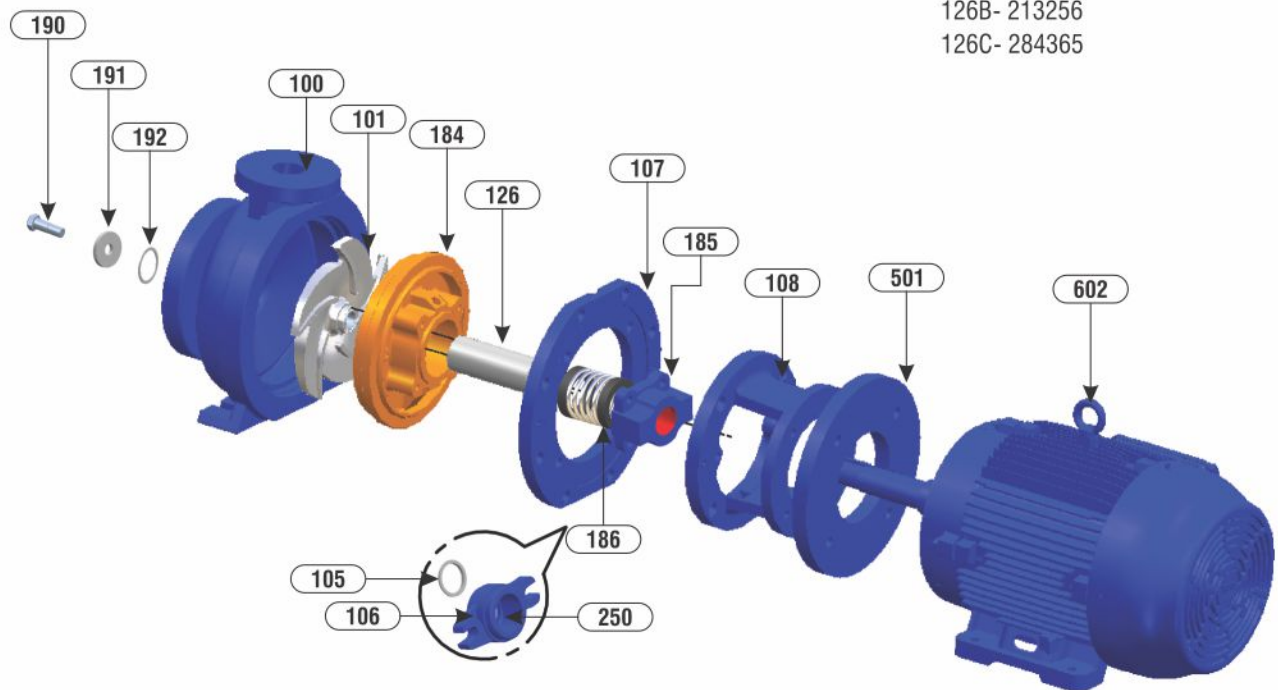
## Group 1K-1156- A



**IMPELLER:** 101A- Impeller- 143184  
 101B- Impeller- 213256  
 101C- Impeller- 284365

**ADAPTOR:** 508

**SLEEVE:** 126A- 143184  
 126B- 213256  
 126C- 284365

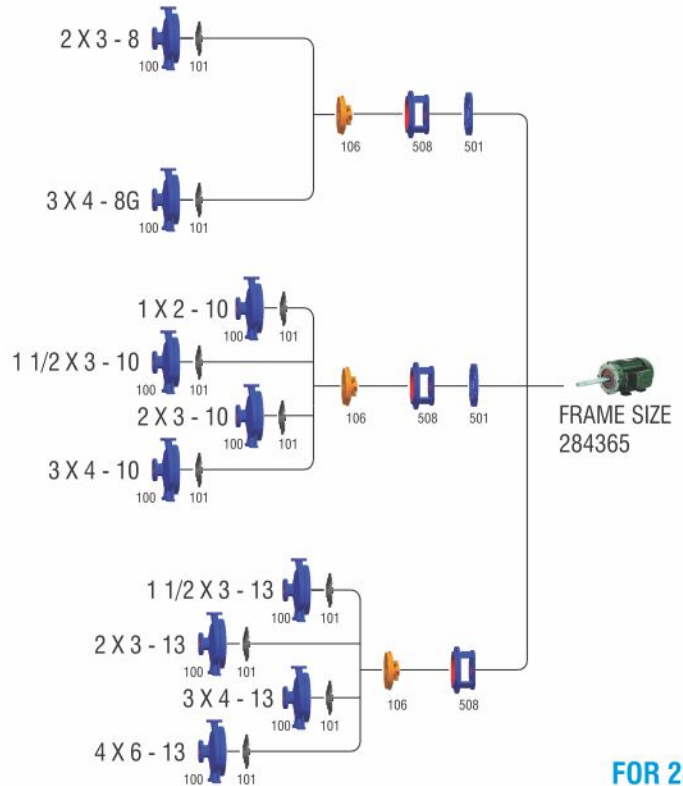
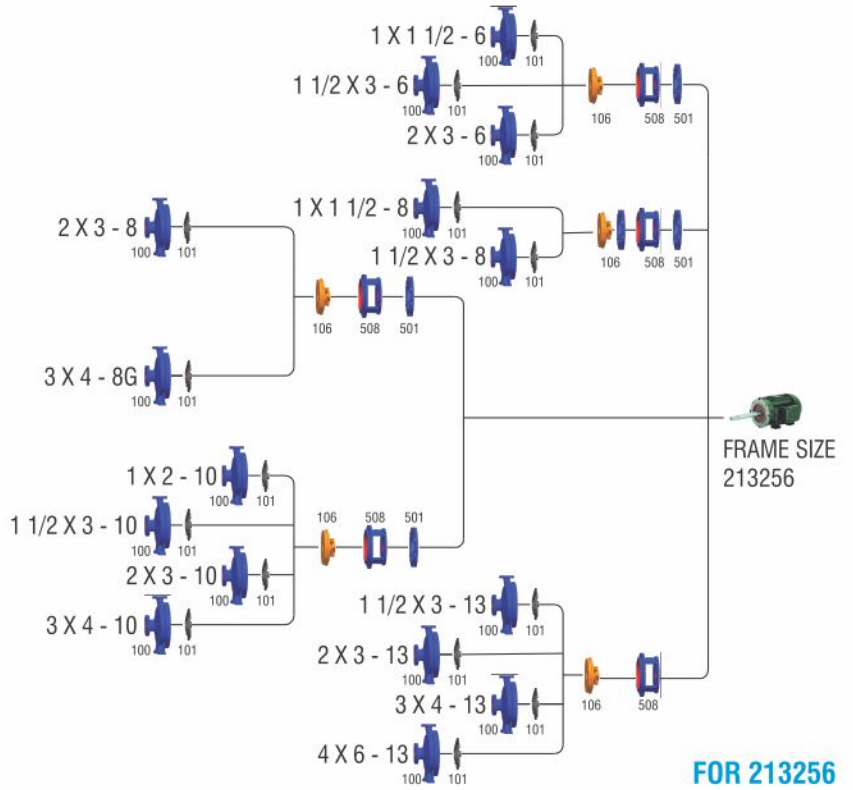
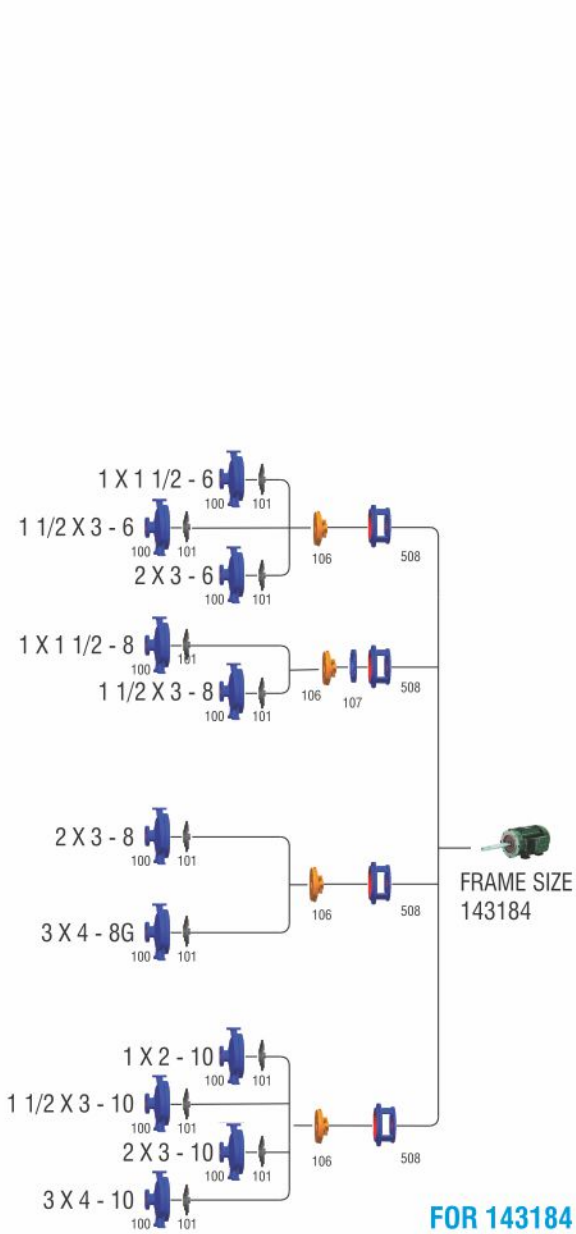


## PART LIST & MATERIALS OF CONSTRUCTION

| PART NOS | PART DESCRIPTION                | MATERIAL                            |       |       |         |         |                 |
|----------|---------------------------------|-------------------------------------|-------|-------|---------|---------|-----------------|
|          |                                 | WCB/Carbon Steel                    | SS304 | SS316 | CD4MCu  | Alloy20 | Hastelloy B & C |
| 100      | Casing                          | WCB / Carbon Steel                  | SS304 | SS316 | CD4MCu  | Alloy20 | Hastelloy       |
| 101      | Impeller                        | WCB / Carbon Steel                  | SS304 | SS316 | CD4MCu  | Alloy20 | Hastelloy       |
| 105      | Lantern Ring (Optional)         | Glass-Filled TEFLON                 |       |       |         |         |                 |
| 106      | Stuffing Box Packing (Optional) | TEFLON Impregnated Fiber            |       |       |         |         |                 |
| 107      | Adaptor Plate (If Applicable)   | Cast Iron / Ductile Iron            |       |       |         |         |                 |
| 108      | Frame Adaptor                   | Cast Iron / Ductile Iron            |       |       |         |         |                 |
| 126      | Shaft Sleeve                    | SS316                               |       | SS316 | Alloy20 |         | Hastelloy       |
| 184      | Stuffing Box Cover              | WCB / Carbon Steel                  | SS304 | SS316 | CD4MCu  | Alloy20 | Hastelloy       |
| 185      | Seal Chamber                    |                                     | SS304 | SS316 | CD4MCu  | Alloy20 | Hastelloy       |
| 186      | Mechanical Seal                 | Various - depending on applications |       |       |         |         |                 |
| 190      | Bolt                            | SS316                               |       |       |         |         |                 |
| 191      | Washer                          | SS316                               |       |       |         |         |                 |
| 192      | Gasket                          | TEFLON Impregnated Fiber            |       |       |         |         |                 |
| 250      | Gland                           | Various                             |       |       |         |         |                 |
| 501      | Motor Adaptor Plate             | Cast Iron, Ductile Iron             |       |       |         |         |                 |
| 602      | Motor (JP Frame)                | Various                             |       |       |         |         |                 |

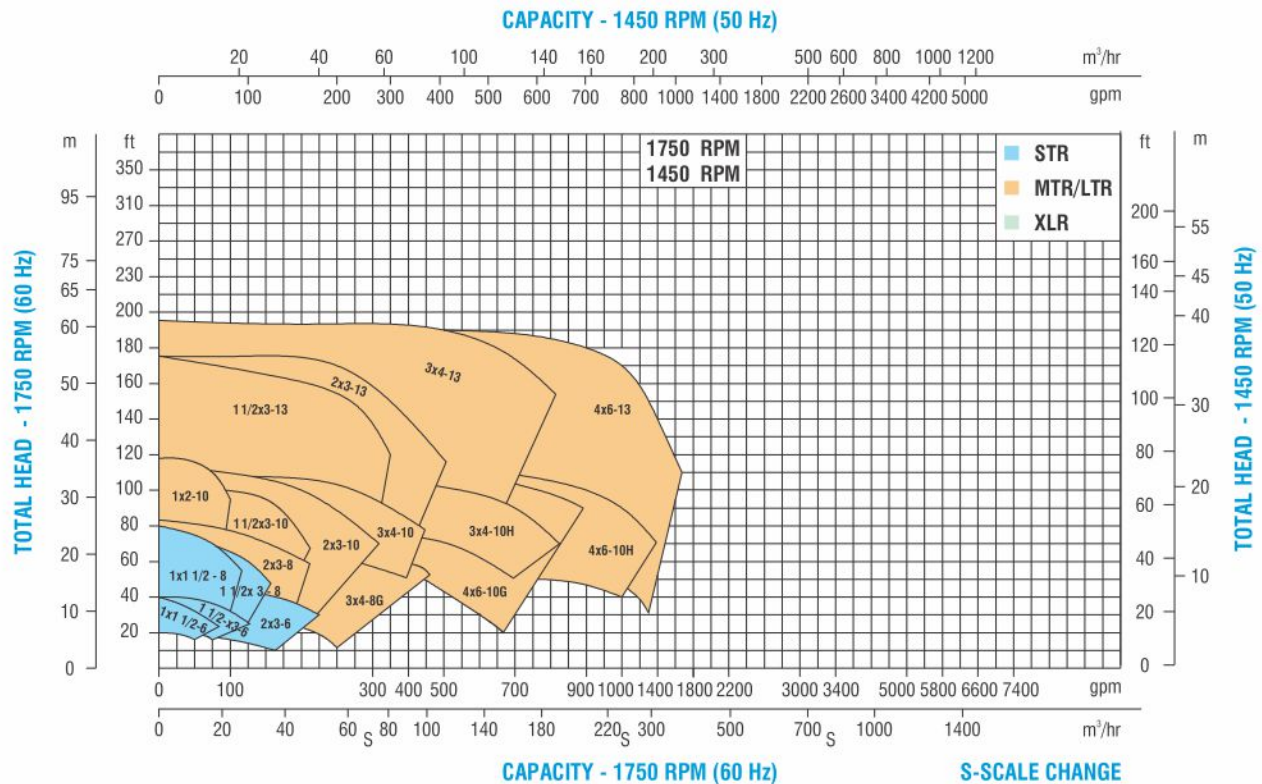
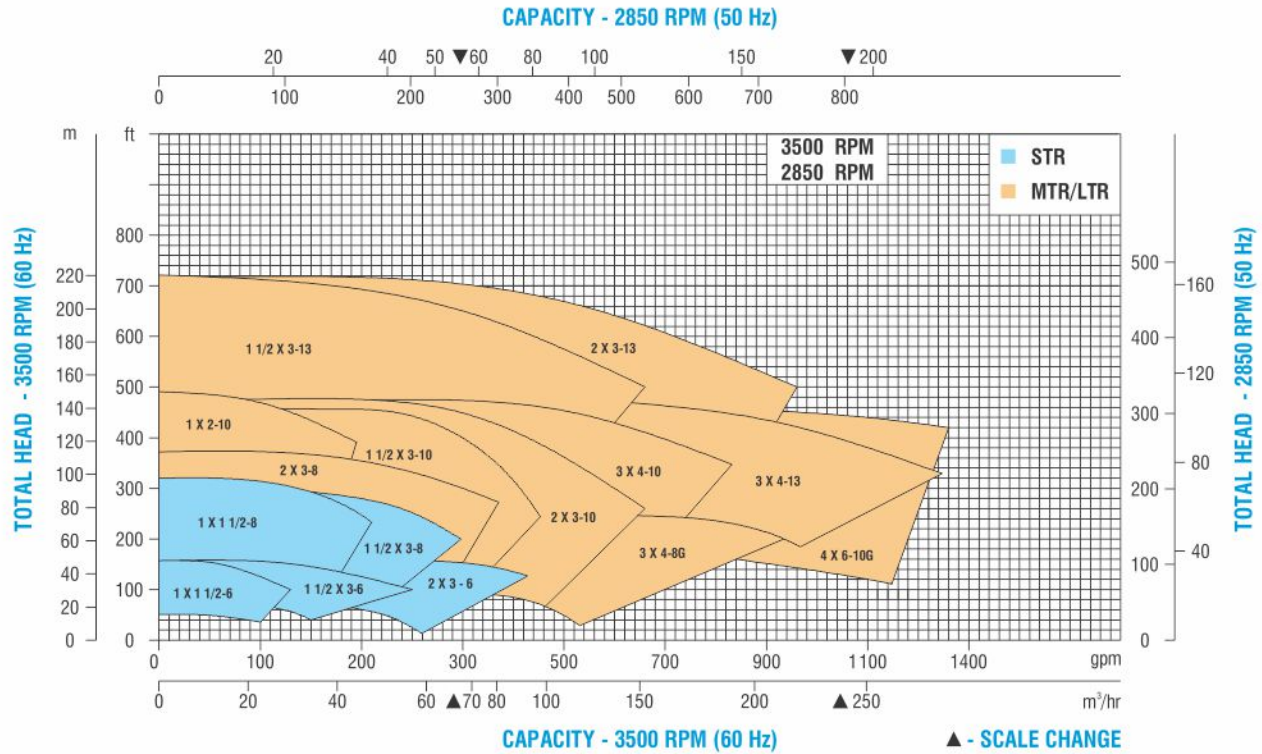
# INTERCHANGEABILITY CHART

FOR 143184, 213256 & 284365



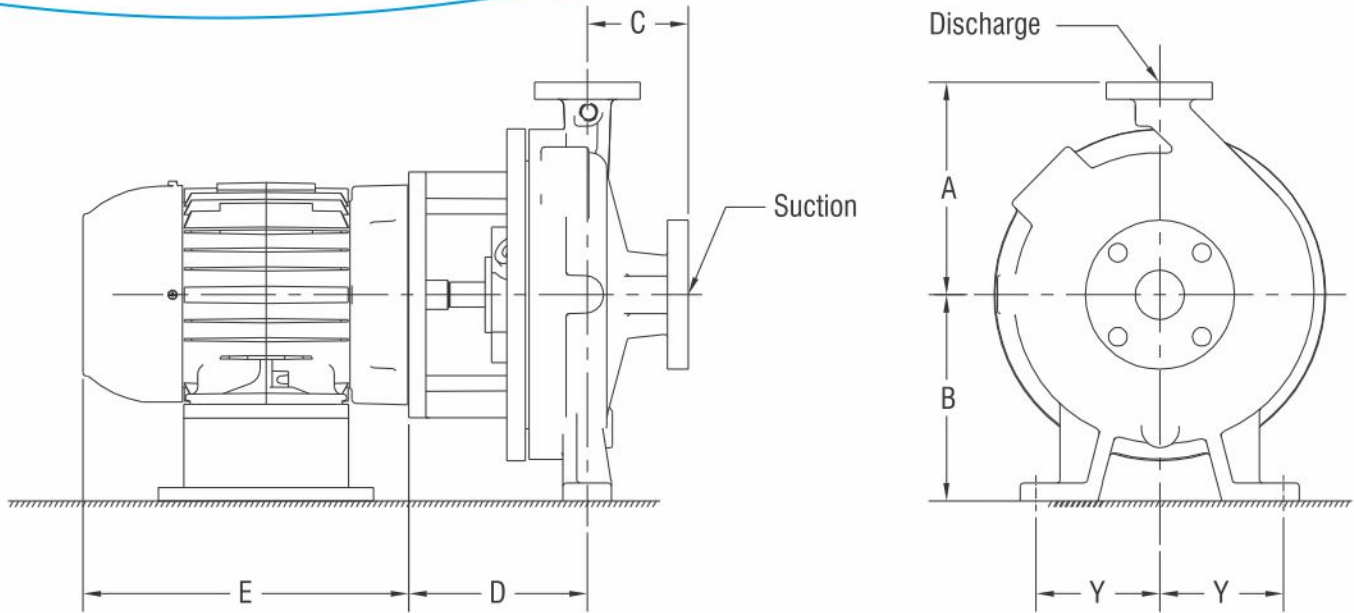


# HYDRAULIC COVERAGE



# DIMENSIONAL DRAWING

FOR 143184, 213256 & 284365



## DIMENSIONAL DATA

FRAME SIZE - 143184

| Pump Frame | Pump Size | ANSI Designation | Discharge Size | Suction Size | A         | B          | C       | D    | Y     | E  |
|------------|-----------|------------------|----------------|--------------|-----------|------------|---------|------|-------|----|
| Group 1K   | 1x1.5-6   | AA               | 1              | 1.5          | 6.5 (165) | 5.25 (133) | 4 (102) | 6.56 | 3     | 14 |
|            | 1.5x3-6   | AB               | 1.5            | 3            |           |            |         |      |       |    |
|            | 2x3-6     |                  | 2              | 3            |           |            |         |      |       |    |
|            | 1x1.5-8   | AA               | 1              | 1.5          |           |            |         |      |       |    |
|            | 1.5x3-8   | AB               | 1.5            | 3            |           |            |         |      |       |    |
| Group 2K   | 3x4-7     | A70              | 3              | 4            | 11 (280)  | 8.25 (210) | 4 (102) | 7.15 | 4.875 | 14 |
|            | 2x3-8     | A60              | 2              | 3            | 9.5 (242) |            |         |      |       |    |
|            |           |                  |                |              | 11 (280)  |            |         |      |       |    |
|            | 3x4-8G    | A70              | 3              | 4            |           |            |         |      |       |    |
|            | 1x2-10    | A05              | 1              | 2            | 8.5 (216) |            |         |      |       |    |
|            | 1.5x3-10  | A50              | 1.5            | 3            |           |            |         |      |       |    |
|            | 2x3-10    | A60              | 2              | 3            | 9.5 (242) |            |         |      |       |    |
|            | 3x4-10    | A70              | 3              | 4            | 11 (280)  |            |         |      |       |    |



# DIMENSIONAL DATA

FRAME SIZE - 284365

| Pump Frame | Pump Size | ANSI Designation | Discharge Size | Suction Size | A          | B          | C | D | Y     | E  |
|------------|-----------|------------------|----------------|--------------|------------|------------|---|---|-------|----|
| Group 2K   | 2x3-8     | A60              | 2              | 3            | 9.5 (242)  | 8.25 (210) |   |   |       |    |
|            |           |                  |                |              | 11 (280)   |            |   |   |       |    |
|            | 3x4-8G    | A70              | 3              | 4            |            |            |   |   |       |    |
|            | 1x2-10    | A05              | 1              | 2            | 8.5 (216)  |            |   |   |       |    |
|            | 1.5x3-10  | A50              | 1.5            | 3            |            |            |   |   |       |    |
|            | 2x3-10    | A60              | 2              | 3            | 9.5 (242)  |            |   |   |       |    |
| OR         | 3x4-10    | A70              | 3              | 4            | 11 (280)   | 4 (102)    |   | 8 | 4.875 | 21 |
|            | 3x4-10H   | A40              | 3              | 4            | 12.5 (318) |            |   |   |       |    |
| Group 3K   | 4x6-10    | A80              | 4              | 6            | 13.5 (343) | 10 (254)   |   |   |       |    |
|            | 4x6-10G   | A80              | 4              | 6            |            |            |   |   |       |    |
|            | 4x6-10H   | A80              | 4              | 6            |            |            |   |   |       |    |
|            | 1.5x3-13  | A20              | 1.5            | 3            | 10.5 (267) |            |   |   |       |    |
|            | 2x3-13    | A30              | 2              | 3            | 11.5 (292) |            |   |   |       |    |
|            | 3x4-13    | A40              | 3              | 4            | 12.5 (318) |            |   |   |       |    |
|            | 4x6-13    | A80              | 4              | 6            | 13.5 (343) |            |   |   |       |    |



# ROTECH'S OTHER PRODUCTS

- ▶ DNJ Series End Suction Close Coupled Pumps
- ▶ DN Series End Suction Frame Mounted Pumps
- ▶ 1196 Series ANSI Chemical Process Pumps
- ▶ 1196LF series Low Flow ANSI Pumps
- ▶ 1796 Series ANSI Self Priming Pumps
- ▶ RCP Series End Suction Pumps
- ▶ RST Series Stainless Stamped End Suction Pumps
- ▶ RVMS Series Vertical Multistage Centrifugal Pumps
- ▶ RVI80 Series Vertical Inline Pumps
- ▶ SPT/SPU Series Self Priming Trash Pumps
- ▶ SCP/SFP Series Self Priming Pumps
- ▶ S100 Series Sanitary Centrifugal Pumps
- ▶ L100 Series Lobe Pumps
- ▶ RDSL Series Horizontal Multistage Centrifugal Pumps
- ▶ 3100 Series NPT & 5100 Series Flanged Ball Check Valves
- ▶ Various Mechanical Seals

Apart from the listed above,  
we offer an array of other products too.  
Contact us for further details.



"A Trusted Partner in Pump Solutions"

1320 Britannia Road East  
Mississauga, Ontario, Canada. L4W 1C8

Phone: (905) 461-9617 | Fax: (905) 461-9618  
Toll Free: 1-866-217-PUMP (7867)  
Email: [sales@rotechpumps.com](mailto:sales@rotechpumps.com) | [www.rotechpumps.com](http://www.rotechpumps.com)